

PAT. NO.:		©01/06/2010 ©	
PRODUITS DE SERVICE PUBLICS INNOVA INC. INNOVA PUBLIC UTILITY PRODUCTS INC.			
© 9105-0732 QUEBEC INC. and under exclusive license to INNOVA PUBLIC UTILITY PRODUCTS INC., (hereafter « INNOVA »). All rights reserved. Protected under the Copyright Act of Canada and international treaties and agreements regarding copyrights. Violators are subject to prosecution and other legal recourses for infringement. Any reproduction, adaptation or other use or disclosure whatsoever, in totality or in part, and in any form or by any means whatsoever, strictly forbidden and requires the prior written approval of INNOVA. All data is the exclusive property of 9105-0732 QUEBEC INC. and under exclusive license to INNOVA and cannot be used nor disclosed in any way either without the prior written approval of INNOVA.			
WEIGHT:	TITLE:		
146.0 Lb	Xtirpa Portable H base System		
66.2 Kg	for PPE		
COLOR:	MATERIAL:	SHEET(S):	PROJECT:
Yellow security	Aluminum	1 / 2	IN-8004

SPÉCIFICATIONS

H This equipment is considered as part of a personal fall arrest system (PFAS) with a maximum working capacity of 164 Kg (360 lb). It is only to be used in conjunction with a personal fall arrest system that limits the maximum arrest force (MAF).

G Working load (mass):
In position 1, 2 or 3 : 164 kg (360 lb)

Max tested capacity with lifeline winch
In position 1 or 2 : 16,014 N (3,600 lbf)

Max working load of material handling in position 3 : 8,007 N (1,800 lbf)

F Max tested capacity of anchor point : 22,241 N (5,000 lbf)

NORMES ET STANDARDS

E Meets the following standards:
OSHA Personal fall arrest system - 1910.66 App C
ANSI Safety requirements for personal fall arrest system, subsystems and components Z359.1 (R1999) / 2007
EN 795 2012 Type B
CAN/CSA Fall arresters, vertical lifelines, and rails Z259.2.1-98

MATÉRIAUX ET CONSTRUCTION

D Hardware : Zinc plated steel and Stainless Steel
Anchorage hooks : 304 Stainless Steel
Davit-Arm , Mast and H Base: Aluminum 6061-T6
Pulley : Black Acetal
Finish : Yellow security powder paint with metal protection base.
Welding certification: CSA W47,2M CSA W47,1

C RESTRICTIONS

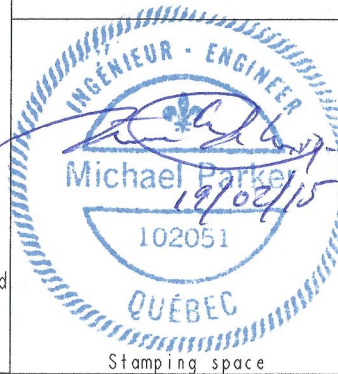
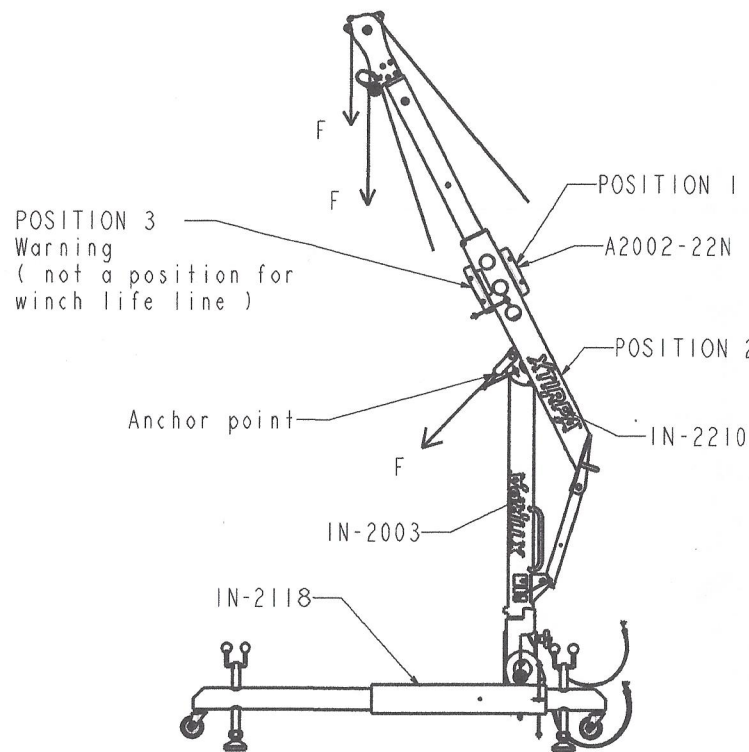
This product is to be used only with products approved by Innova Public Utility Products Inc.

IMPORTANT :

B **The positioning pins must always be in place when manoeuvring personnel. Otherwise, serious injuries may occur.
Periodic inspections of hardware must be done.
In the occurrence of a fall or the safety of the equipment is in doubt, equipment must be immediately removed from service and inspected by qualified personnel before reuse.

A ** This equipment must always be operated in a level position.

Product number : IN-8004



PAT. NO. :	001/06/2010	©
------------	-------------	---

PRODUITS DE SERVICE PUBLICS INNOVA INC.
INNOVA PUBLIC UTILITY PRODUCTS INC.

© 9105-0732 QUEBEC INC. and under exclusive license to INNOVA PUBLIC UTILITY PRODUCTS INC. (hereafter « INNOVA »). All rights reserved. Protected under the Copyright Act of Canada and international treaties and agreements regarding copyrights. Violators are subject to prosecution and other legal recourse for infringement, any reproduction, adaptation or other use or disclosure whatsoever, in totality or in part, and in any form or by any means whatsoever, strictly forbidden and requires the prior written approval of INNOVA. All data is the exclusive property of 9105-0732 QUEBEC INC. and under exclusive license to INNOVA and cannot be used nor disclosed in any way either without the prior written approval of INNOVA.

WEIGHT :	TITLE :
146.0 Lb	Xtirpa Portable H base System
66.2 Kg	for PPE

COLOR :	MATERIAL :	SHEETS :	PROJECT :
Yellow security	Aluminum	2 / 2	IN-8004