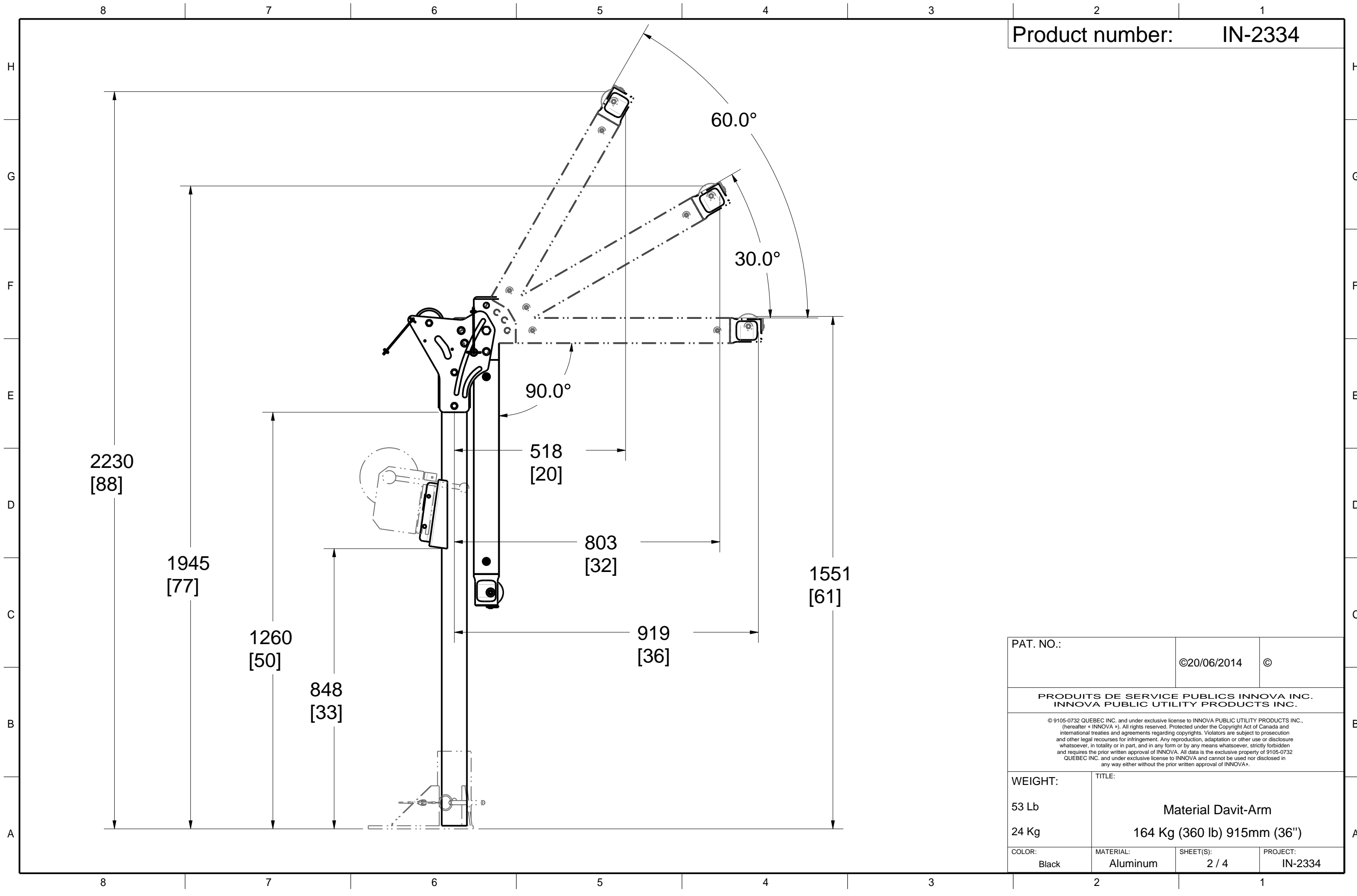


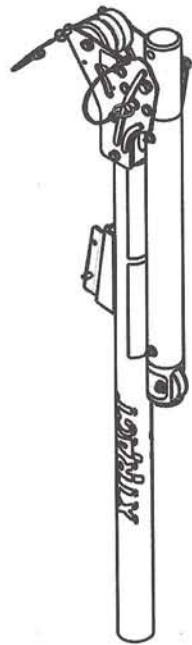
| | | | |
|---|-----------------------------|-------------|----------|
| PAT. NO.: | | ©20/06/2014 | © |
| PRODUITS DE SERVICE PUBLICS INNOVA INC. INNOVA PUBLIC UTILITY PRODUCTS INC. | | | |
| <small>© 9105-0732 QUEBEC INC. and under exclusive license to INNOVA PUBLIC UTILITY PRODUCTS INC., (hereafter « INNOVA »). All rights reserved. Protected under the Copyright Act of Canada and international treaties and agreements regarding copyrights. Violators are subject to prosecution and other legal recourses for infringement. Any reproduction, adaptation or other use or disclosure whatsoever, in totality or in part, and in any form or by any means whatsoever, strictly forbidden and requires the prior written approval of INNOVA. All data is the exclusive property of 9105-0732 QUEBEC INC. and under exclusive license to INNOVA and cannot be used nor disclosed in any way either without the prior written approval of INNOVA.</small> | | | |
| WEIGHT: | TITLE: | | |
| 53 Lb | Material Davit-Arm | | |
| 24 Kg | 164 Kg (360 lb) 915mm (36") | | |
| COLOR: | MATERIAL: | SHEET(S): | PROJECT: |
| Black | Aluminum | 1 / 4 | IN-2334 |

Product number: IN-2334



| | | | |
|--|-----------------------------|-------------|----------|
| PAT. NO.: | | ©20/06/2014 | © |
| PRODUITS DE SERVICE PUBLICS INNOVA INC. INNOVA PUBLIC UTILITY PRODUCTS INC. | | | |
| © 9105-0732 QUEBEC INC. and under exclusive license to INNOVA PUBLIC UTILITY PRODUCTS INC., (hereafter « INNOVA »). All rights reserved. Protected under the Copyright Act of Canada and international treaties and agreements regarding copyrights. Violators are subject to prosecution and other legal recourses for infringement. Any reproduction, adaptation or other use or disclosure whatsoever, in totality or in part, and in any form or by any means whatsoever, strictly forbidden and requires the prior written approval of INNOVA. All data is the exclusive property of 9105-0732 QUEBEC INC. and under exclusive license to INNOVA and cannot be used nor disclosed in any way either without the prior written approval of INNOVA. | | | |
| WEIGHT: | TITLE: | | |
| 53 Lb | Material Davit-Arm | | |
| 24 Kg | 164 Kg (360 lb) 915mm (36") | | |
| COLOR: | MATERIAL: | SHEET(S): | PROJECT: |
| Black | Aluminum | 2 / 4 | IN-2334 |

Product number: IN-2334



SPECIFICATIONS

H This equipment is design for lifting material and equipment only.
 Max. working load (mass) : 164 Kg (360 lb)
 Max. working moment : 1,464 N-m (12,960 lbf-in)
 G Max. design capacity : 8,007 N (1,800 lbf)
 Max. design moment : 7,321 N-m (64,800 lbf-in)

F STANDARDS

N/A

MATERIAL AND CONSTRUCTION

D Pivoting tube & mast : Aluminum 6061-T6
 Hub plate : Steel 44W
 Pulleys : Black Acetal
 Hardware : Steel zinc plated & stainless steel
 Pins : Stainless steel
 Lanyard : Nylon covered Stainless Steel Cable
 Finish : Black powder paint with metal protection base.
 Welding Certification : CSA W59 & W47.2W & W47.1

C RESTRICTIONS

This product is to be used only with products approved by Innova Public Utility Products Inc.
 Never use this equipment for lifting personnel.
 **The positioning pins must always be in place.
 Periodic inspections of hardware must be done.
 ** This equipment must always be operated in a level position.



| | | | |
|--|-----------|-----------------------------|----------|
| PAT. NO. : | | 020/06/2014 © | |
| PRODUITS DE SERVICE PUBLICS INNOVA INC. INNOVA PUBLIC UTILITY PRODUCTS INC. | | | |
| <small>© 9105-9132 QUÉBEC INC. and under exclusive license to INNOVA PUBLIC UTILITY PRODUCTS INC. thereafter a INNOVA et. All rights reserved. Protected under the Copyright Act of Canada and international treaties and agreements regarding copyrights. Violators are subject to prosecution and other legal recourses for infringement. Any reproduction, adaptation or other use or disclosure whatsoever, in totality or in part, and in any form or by any means whatsoever, strictly forbidden and requires the prior written approval of INNOVA. All data is the exclusive property of 9105-9132 QUÉBEC INC. and under exclusive license to INNOVA and cannot be used nor disclosed in any way either without the prior written approval of INNOVA.</small> | | | |
| WEIGHT: | | TITLE: | |
| 53 Lb | | Material Davit-Arm | |
| 24 Kg | | 164 Kg (360 lb) 915mm (36") | |
| COLOR: | MATERIAL: | SHEET(S): | PROJECT: |
| Black | Aluminum | 3 / 4 | IN-2334 |

Stamping space

8

7

6

5

4

3

2

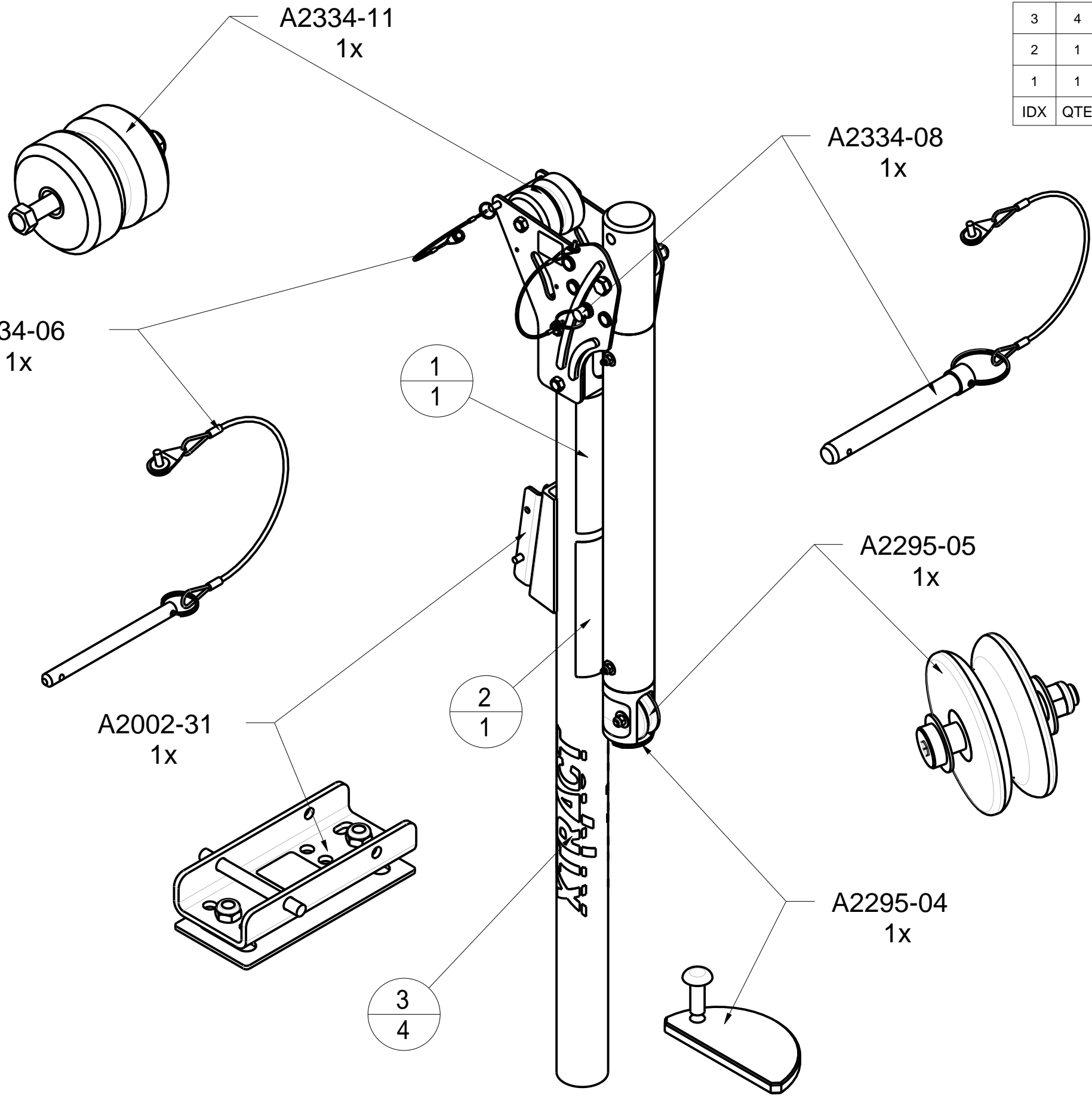
1

Product number: IN-2334

| IDX | QTE | COMPONENT | REV | DESCRIPTION |
|-----|-----|-----------|-----|-------------------------------|
| 3 | 4 | S2334-005 | | Label XTRACT 3-1/2" x 11-3/4" |
| 2 | 1 | S2334-002 | | Label instruction in english |
| 1 | 1 | S2334-001 | | Label instruction in french |

H
G
F
E
D
C
B
A

H
G
F
E
D
C
B
A



| | | | |
|--|---|-------------|----------|
| PAT. NO.: | | ©20/06/2014 | © |
| PRODUITS DE SERVICE PUBLICS INNOVA INC. INNOVA PUBLIC UTILITY PRODUCTS INC. | | | |
| <small>© 9105-0732 QUEBEC INC. and under exclusive license to INNOVA PUBLIC UTILITY PRODUCTS INC. (hereafter « INNOVA »). All rights reserved. Protected under the Copyright Act of Canada and international treaties and agreements regarding copyrights. Violators are subject to prosecution and other legal recourses for infringement. Any reproduction, adaptation or other use or disclosure whatsoever, in totality or in part, and in any form or by any means whatsoever, strictly forbidden and requires the prior written approval of INNOVA. All data is the exclusive property of 9105-0732 QUEBEC INC. and under exclusive license to INNOVA and cannot be used nor disclosed in any way either without the prior written approval of INNOVA.</small> | | | |
| WEIGHT: | TITLE: | | |
| 53 Lb | Material Davit-Arm 164 Kg (360 lb) 915mm (36") | | |
| 24 Kg | | | |
| COLOR: | MATERIAL: | SHEET(S): | PROJECT: |
| Black | Aluminum | 4 / 4 | IN-2334 |

8

7

6

5

4

3

2

1