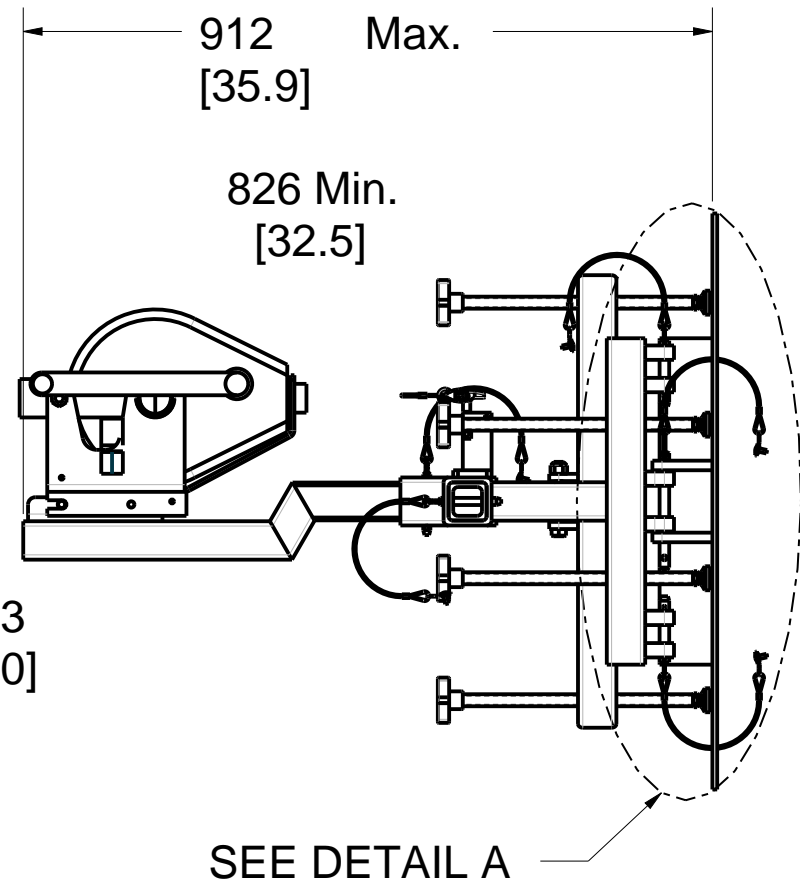
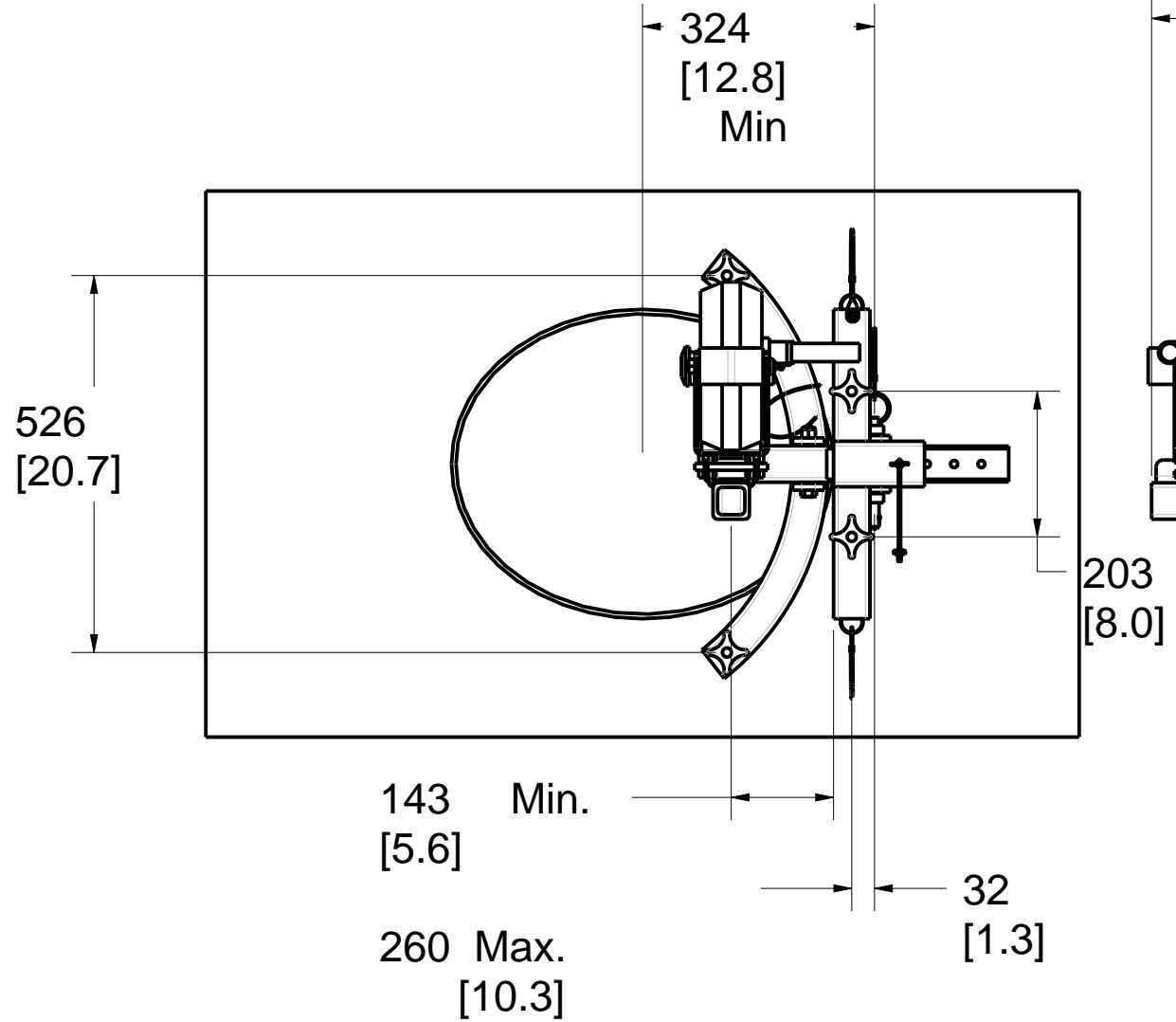


PAT. NO.:		©05/04/2012 ©	
<b>PRODUITS DE SERVICE PUBLICS INNOVA INC.</b> <b>INNOVA PUBLIC UTILITY PRODUCTS INC.</b>			
<small>© 9105-0732 QUEBEC INC. and under exclusive license to INNOVA PUBLIC UTILITY PRODUCTS INC. (hereafter « INNOVA »). All rights reserved. Protected under the Copyright Act of Canada and international treaties and agreements regarding copyrights. Violators are subject to prosecution and other legal recourses for infringement. Any reproduction, adaptation or other use or disclosure whatsoever, in totality or in part, and in any form or by any means whatsoever, strictly forbidden and requires the prior written approval of INNOVA. All data is the exclusive property of 9105-0732 QUEBEC INC. and under exclusive license to INNOVA and cannot be used nor disclosed in any way either without the prior written approval of INNOVA.</small>			
WEIGHT:	TITLE:		
28 Lb	Hinge mount rescue system		
13 Kg			
COLOR:	MATERIAL:	SHEET(S):	PROJECT:
Clear Anodized	Aluminum	1 / 4	IN-2290



**Recommendations :**

This equipment can be installed on the existing vessel door hinges.

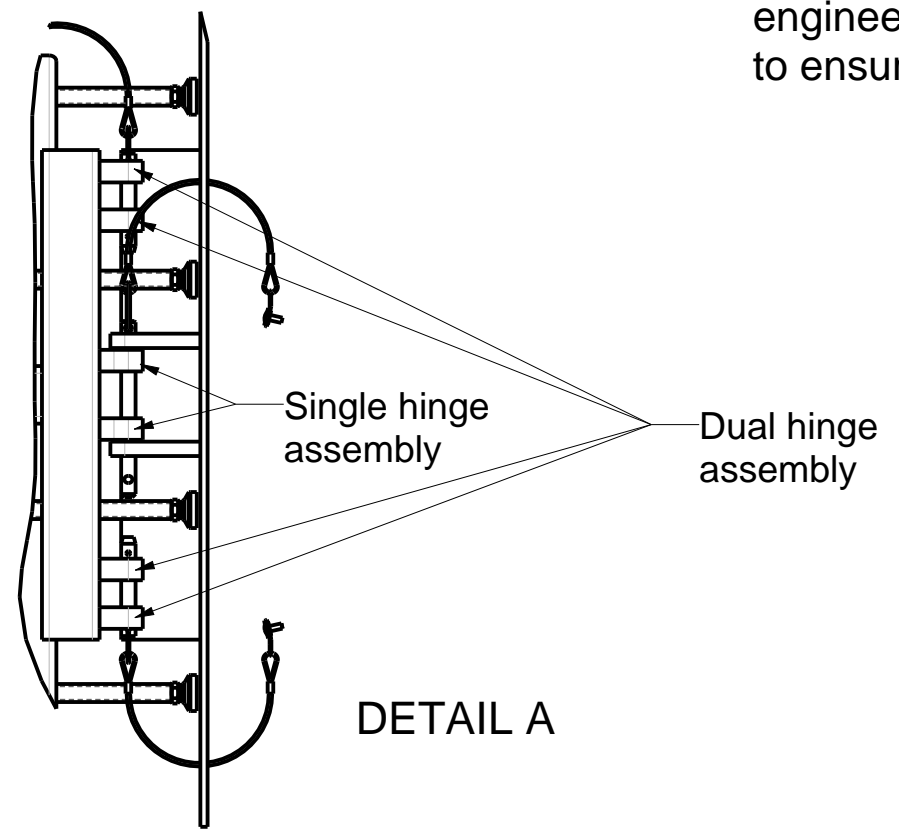
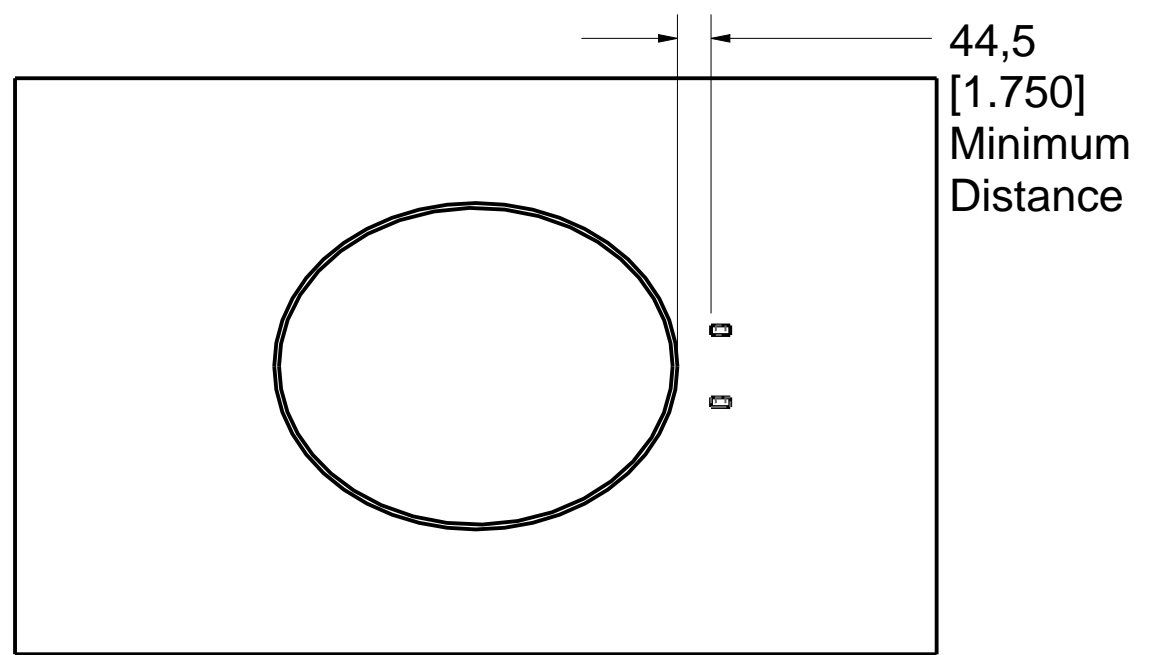
For single hinge assembly, use the central installation.

For dual hinge assembly, use the two end hinge systems.

Never use single hinge assembly for dual hinge configuration.

The vessel and it's attachment points must resist a force of 1797 N ( 404 lbf ) and a moment of 365-N-m (3231 lbf-in).

It is the responsibility of the site engineer or qualified person to ensure these requirements.



PAT. NO.:		©05/04/2012	©
PRODUITS DE SERVICE PUBLICS INNOVA INC. INNOVA PUBLIC UTILITY PRODUCTS INC.			
<small>© 9105-0732 QUEBEC INC. and under exclusive license to INNOVA PUBLIC UTILITY PRODUCTS INC., (hereafter « INNOVA »). All rights reserved. Protected under the Copyright Act of Canada and international treaties and agreements regarding copyrights. Violators are subject to prosecution and other legal recourses for infringement. Any reproduction, adaptation or other use or disclosure whatsoever, in totality or in part, and in any form or by any means whatsoever, strictly forbidden and requires the prior written approval of INNOVA. All data is the exclusive property of 9105-0732 QUEBEC INC. and under exclusive license to INNOVA and cannot be used nor disclosed in any way either without the prior written approval of INNOVA.</small>			
WEIGHT:	TITLE:		
28 Lb	Hinge mount rescue system		
13 Kg			
COLOR:	MATERIAL:	SHEET(S):	PROJECT:
Clear Anodized	Aluminum	2 / 4	IN-2290

SPECIFICATIONS

H This equipment is designed only to extract the user horizontally in a confined space.

Maximum working load ( User + Equipment ) : 184Kg ( 404 lb )  
 Maximum design load : 367 Kg ( 808 lb )

G Maximum working moment : 365 N-m ( 3,231 lbf-in )  
 Maximum moment design : 730 N-m ( 6,461 lbf-in ).

F STANDARDS

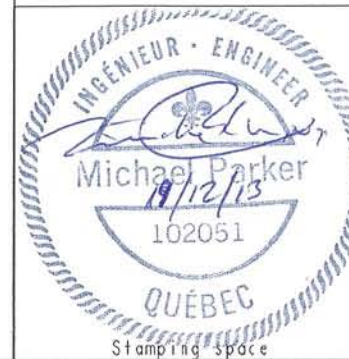
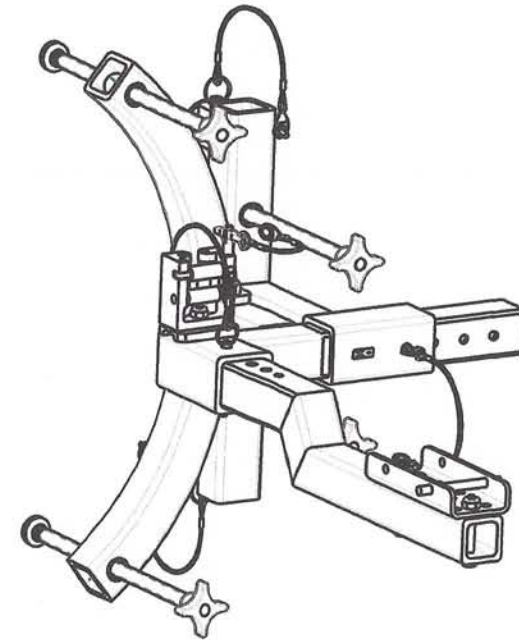
E MATERIAL AND CONSTRUCTION

D Structure: Aluminum 6061-T6  
 Hardwares: Steel zinc plated Gr. 5 and Stainless steel  
 Pins: Stainless steel  
 Lanyard : Nylon covered steel cable  
 Finish : Clear anodized  
 Welding Certification : CSA W47.2 / W59.2

C RESTRICTIONS

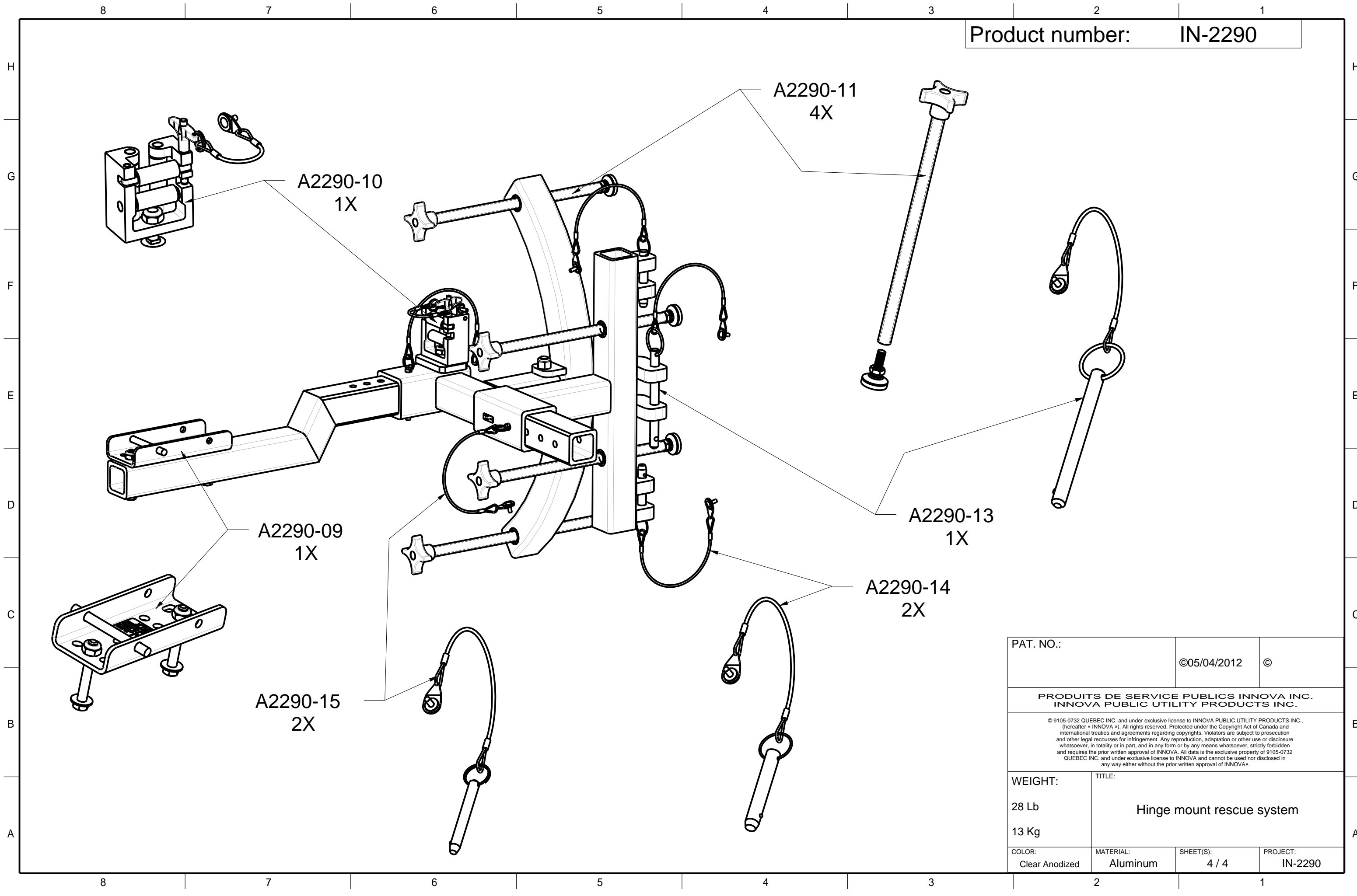
B This product is to be used only with products approved by Innova Public Utility Products inc.  
 A The mounting pins and hardware must always be in place at all times.  
 Always use the manufacturers original pins and hardware. No substitutes.

Product number: IN-2290



PAT. NO. :		005/04/2012	Ø
PRODUITS DE SERVICE PUBLICS INNOVA INC. INNOVA PUBLIC UTILITY PRODUCTS INC.			
<small>© 9105-0739 QUEBEC INC. and under exclusive license to INNOVA PUBLIC UTILITY PRODUCTS INC. (ci-après « INNOVA »). All rights reserved. Protected under the Copyright Act of Canada and international treaties and agreements regarding copyrights. Violators are subject to prosecution and other legal remedies for infringement. Any reproduction, adaptation or other use or disclosure whatsoever, in totality or in part, and in any form or by any means whatsoever, strictly forbidden and requires the prior written approval of INNOVA. All data is the exclusive property of 9105-0739 QUEBEC INC. and under exclusive license to INNOVA and cannot be used nor disclosed in any way either without the prior written approval of INNOVA.</small>			
WEIGHT:	TITLE:		
28 Lb	Hinge mount rescue system		
13 Kg			
COLOR:	MATERIAL:	SHEET(S):	PROJECT:
Clear Anodized	Aluminum	3 / 4	IN-2290

Product number: IN-2290



PAT. NO.:		©05/04/2012	©
<b>PRODUITS DE SERVICE PUBLICS INNOVA INC.</b> <b>INNOVA PUBLIC UTILITY PRODUCTS INC.</b>			
<small>© 9105-0732 QUEBEC INC. and under exclusive license to INNOVA PUBLIC UTILITY PRODUCTS INC. (hereafter « INNOVA »). All rights reserved. Protected under the Copyright Act of Canada and international treaties and agreements regarding copyrights. Violators are subject to prosecution and other legal recourses for infringement. Any reproduction, adaptation or other use or disclosure whatsoever, in totality or in part, and in any form or by any means whatsoever, strictly forbidden and requires the prior written approval of INNOVA. All data is the exclusive property of 9105-0732 QUEBEC INC. and under exclusive license to INNOVA and cannot be used nor disclosed in any way either without the prior written approval of INNOVA.</small>			
WEIGHT:	TITLE:		
28 Lb	Hinge mount rescue system		
13 Kg			
COLOR:	MATERIAL:	SHEET(S):	PROJECT:
Clear Anodized	Aluminum	4 / 4	IN-2290